

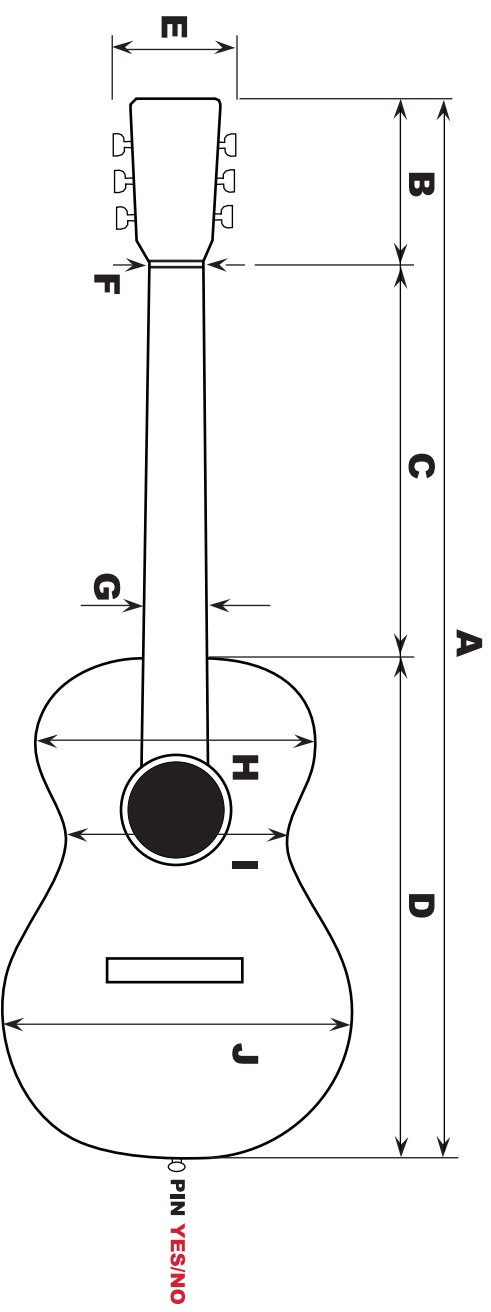
# Measurement Form

## Types

Classical Guitar  
Roundback (Ovation) Guitar

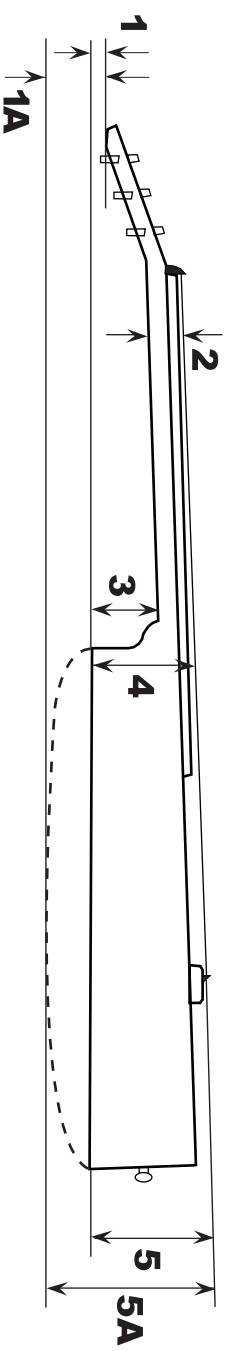
Front view	
A	
B	
C	
D	
E	
F	
G	
H	
I	
J	

Front view



Side view

Side view	
1	
1A	
2	
3	
4	
5	
5A	



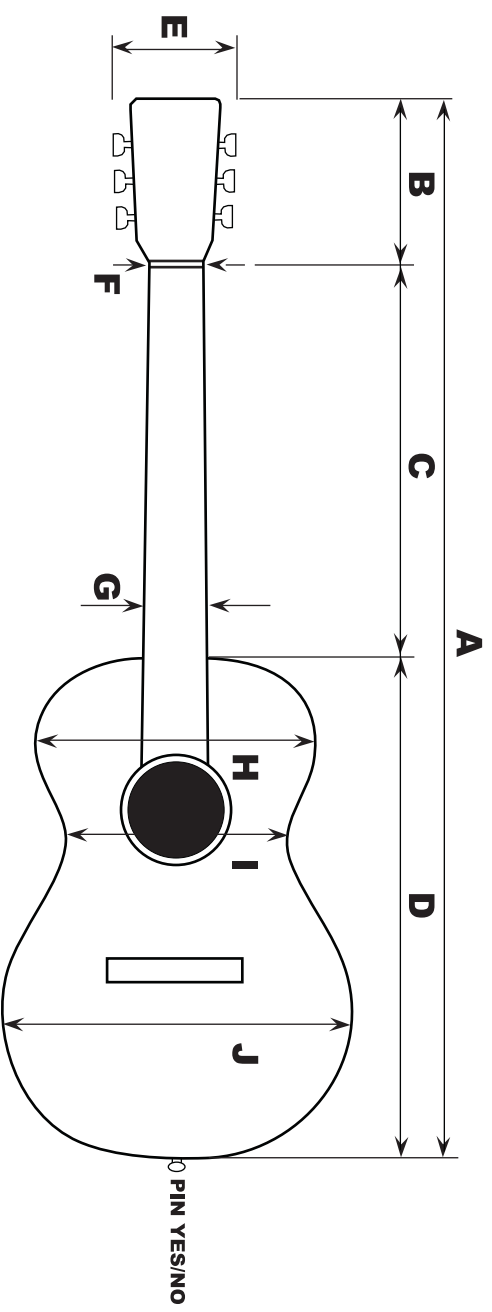
# Measurement Form

Types

Classical Guitar  
Roundback (Ovation) Guitar

Front view	
A	
B	
C	
D	
E	
F	
G	
H	
I	
J	

Front view



Side view

Side view	
1	
1A	
2	
3	
4	
5	
5A	

