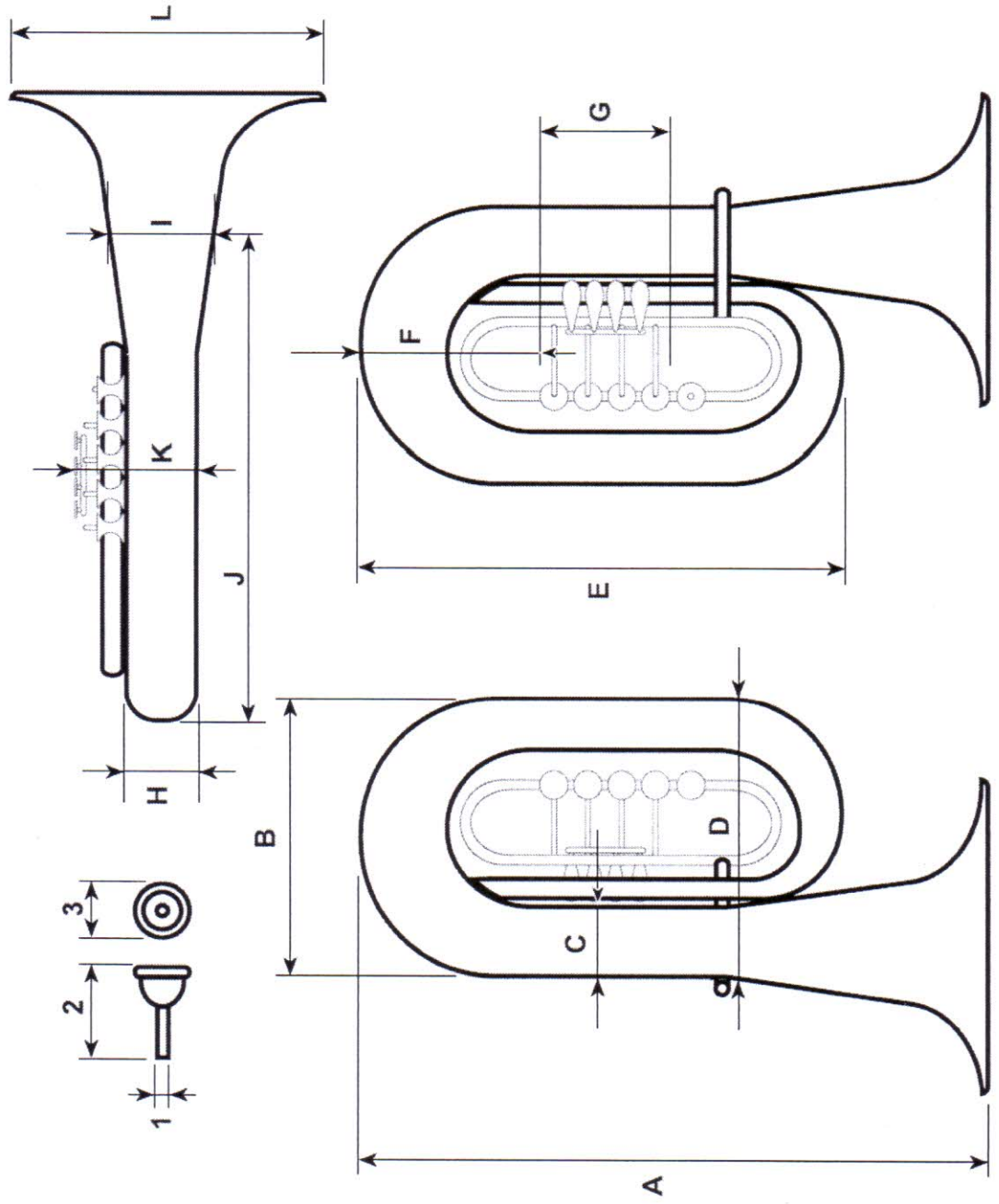


www.accordcase.com
 email: info@accordcase.com
 in accord with the world

NAME : _____
 ADDRESS: _____
 PHONE/FAX: _____
 E-MAIL: _____



Tuba - Measurement Form



A	B	C	D	E	F	G	H	I	J	K	L

1	2	3