

**Front view**

A	
B	
C	
D	
E	
F	
G	
H	
I	
J	
K	
L	

**Side view**

1	0 mm
2	
3	
4	
5	
6	
7	

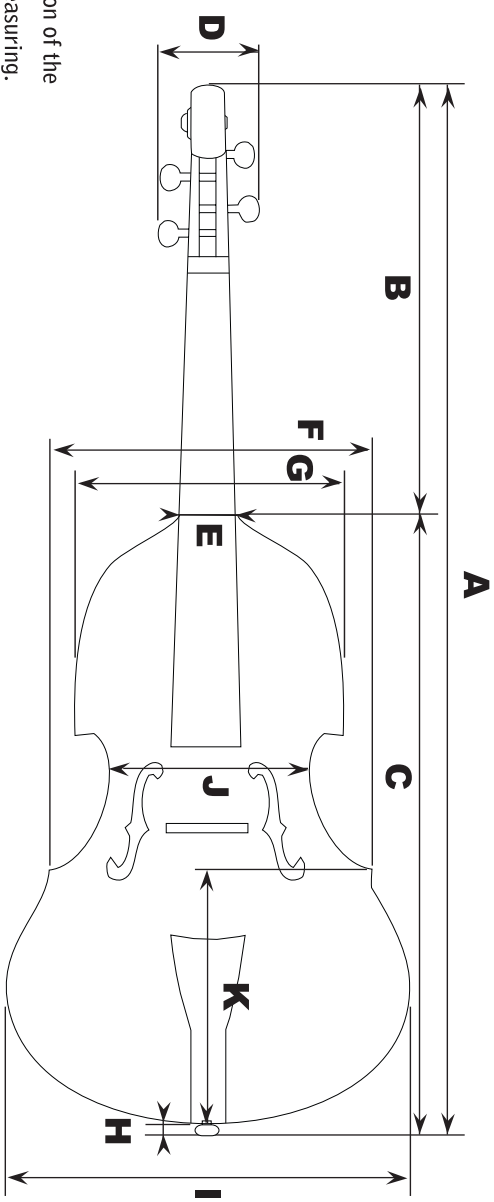
# Measurement Form Types

Kontrabas

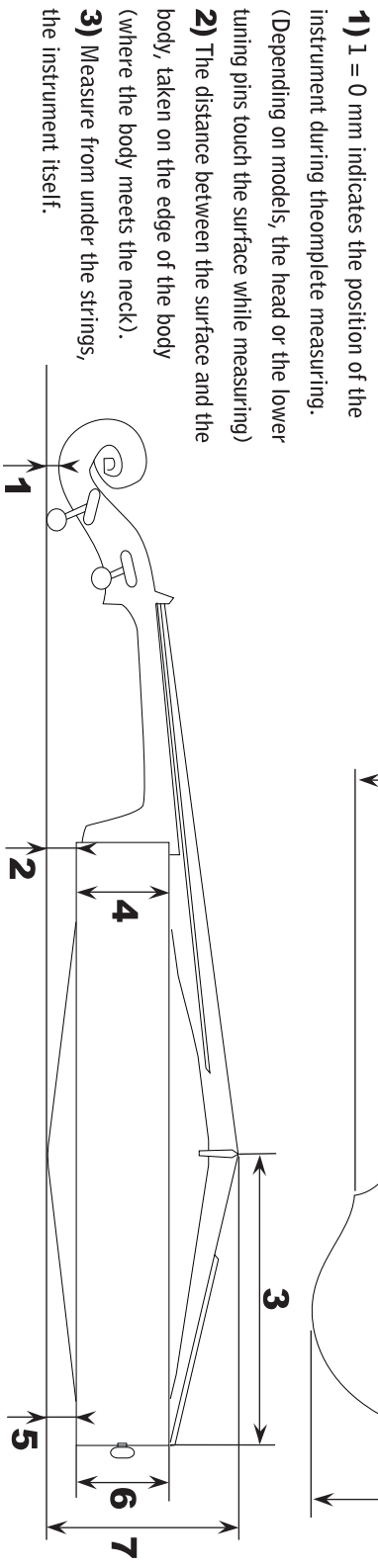
Name \_\_\_\_\_  
 Address \_\_\_\_\_  
 Phone/Fax \_\_\_\_\_  
 E-mail \_\_\_\_\_



**Front view**



**Side view**



- 1)** 1 = 0 mm indicates the position of the instrument during the complete measuring. (Depending on models, the head or the lower tuning pins touch the surface while measuring)
- 2)** The distance between the surface and the body, taken on the edge of the body (where the body meets the neck).
- 3)** Measure from under the strings, the instrument itself.

**Bow**

a	
b	
c	
d	
e	

